

# POSEIDON 7 FA

---

Model:  
POSEIDON 7-52 FA  
POSEIDON 7-67 FA



Part List US-English

28-02-2013

**Nilfisk**  
**ALTO**  
works for you

[www.nilfisk-alto.com](http://www.nilfisk-alto.com)

# Table of Contents

POSEIDON 7 FA

<b>Overview</b>	<b>3</b>
<b>Hose reel</b>	<b>6</b>
<b>Electric box</b>	<b>8</b>
<b>Motor</b>	<b>11</b>
<b>Pump</b>	<b>13</b>
<b>Unloader</b>	<b>15</b>
<b>Outlet fitting</b>	<b>17</b>
<b>Default accessories</b>	<b>19</b>
<b>Recommended spare parts</b>	<b>21</b>

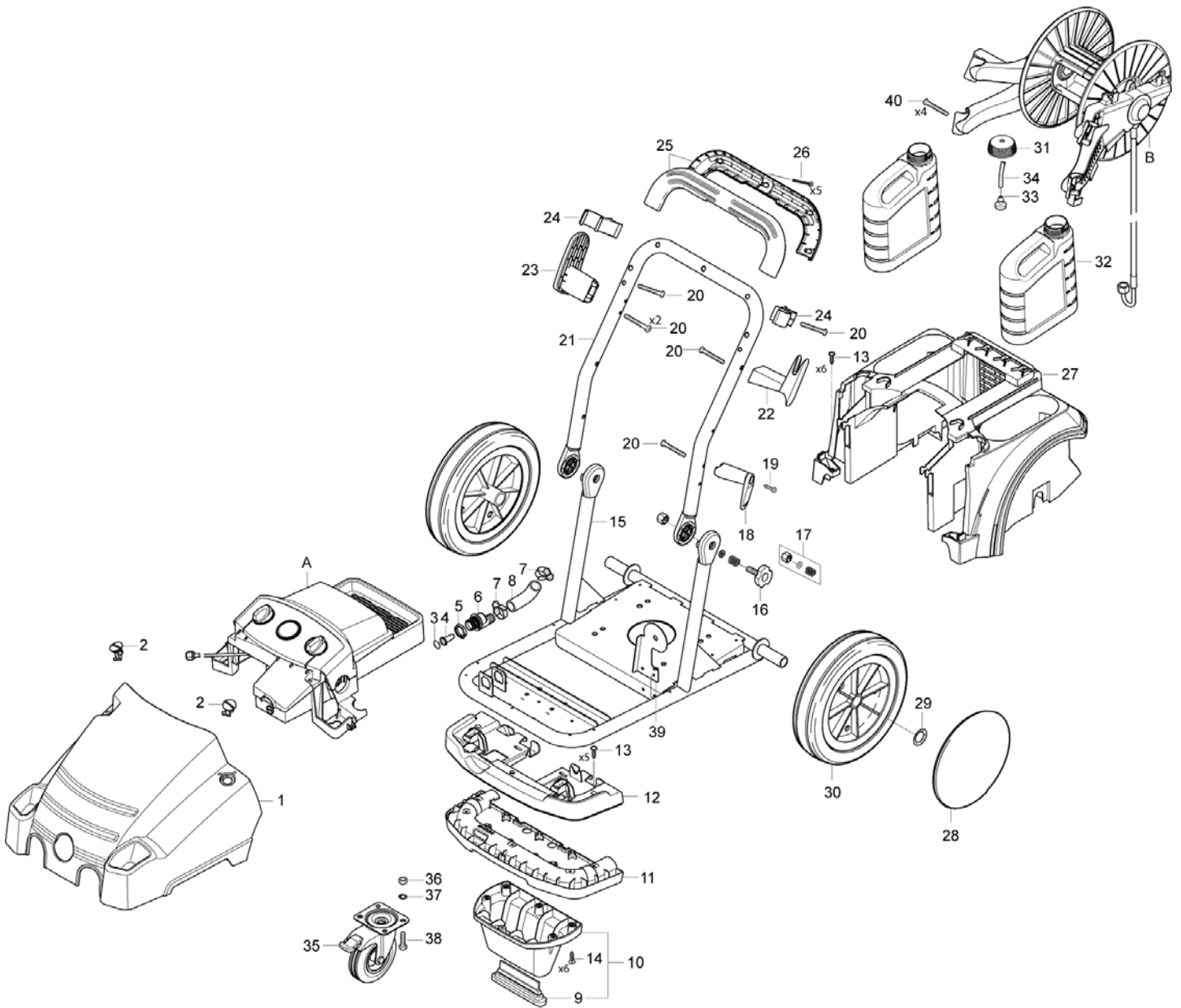
# Overview

## POSEIDON 7 FA

28-02-2013

Part List ID  
POSZ702

3



# Overview

## POSEIDON 7 FA

28-02-2013

Part List ID  
POSZ702

4

Pos	Part no.	Qty	Description	
1	107141603	1	CABINET FRONT NA POSEIDON 7	
2	301001261	2	LOCKING BOLT D29X35	
3	107141667	1	LOCK WASHER	
4	101117926	1	FILTER	
5	1800341	1	LOCK NUT 3/4IN	
6	107141669	1	WATER INLET PIPE C3	
7	107141707	2	HOSE CLIP 20-32MM SS	Food
7	23221	2	HOSE CLAMP 20-32	
8	107141671	1	RUBBER ELBOW C3	
9	107141615	1	RUBBER FOOT	
A		1	USE LINK	
B		1	USE LINK	
10	101118100	1	FRONT FOOT FOR POSEIDON KIT	
11	107141617	1	BUMPER BOTTOM	
12	107141618	1	BUMPER TOP	
13	107141690	5	SCREW M5X12 DIN7985 TORX TAPTITE	
14	101814782	6	SCREW K50X18 WN 1451 TORX 20	
15	107141621	1	FRAME NA6/C3	
15	107141622	1	FRAME STAINLESS STEEL	
16	107141672	2	GRIB FOR FOLDABLE HANDLE	
17	101118104	2	SPRING AND LOCK NUT KIT	
18	107141625	1	CABLE HOOK MOVABLE BLACK	
19	101814782	1	SCREW K50X18 WN 1451 TORX 20	
20	107141627	10	SCREW K50X40 T20	
21	107141623	1	FRAME HANDLE	
21	107141624	1	FRAME HANDLE STAINLESS STEEL	Food
22	107141632	1	CABLE HOOK	
23	107141629	1	HOSE HOOK	
24	107141630	1	LANCE HOLDER NA	
25	101118101	1	HANDLE KIT	
26	909100148	5	SCREW K40X30 WN 1452	
27	107141634	1	REAR END	
28	301001077	2	WHEEL CAP D234	
29	1814136	2	CLAMPING RING D25	Food
29	46363	2	CLAMPING RING D25	
30	2010908	2	WHEEL D250X60 GREY	Food
30	6184074	2	WHEEL 300	
31	107141664	2	CAP FOR DETERGENT TANK	
32	107141635	2	DETERGENT TANK	
33	6400240	1	FILTER	
34	5206636	1	HOSE 6/10	
35	107141607	1	WHEEL W. BRAKE D125	
35	107141608	1	WHEEL W. BRAKE D125 FOOD	Food

# Overview

## POSEIDON 7 FA

28-02-2013

Part List ID  
POSZ702

5

Pos	Part no.	Qty	Description
36	1800515	4	LOCK NUT M8 ISO 7042 ZN
36	1809920	4	NUT M8 A2/PA ISO10511 Food
37	1800796	8	WASHER M8
37	1802917	8	WASHER M8 Ø8.4X18X1 A2 DIN125 Food
38	107140930	4	SCREW M8X20 DIN933 SS Food
38	2753	4	HEX. SCREW M8X20 ISO 4017 ZN
39	107141611	1	PLATE FOR CAPACITOR
40	107141695	4	SCREW K50X35 TORX 20 WN5452 BLACK

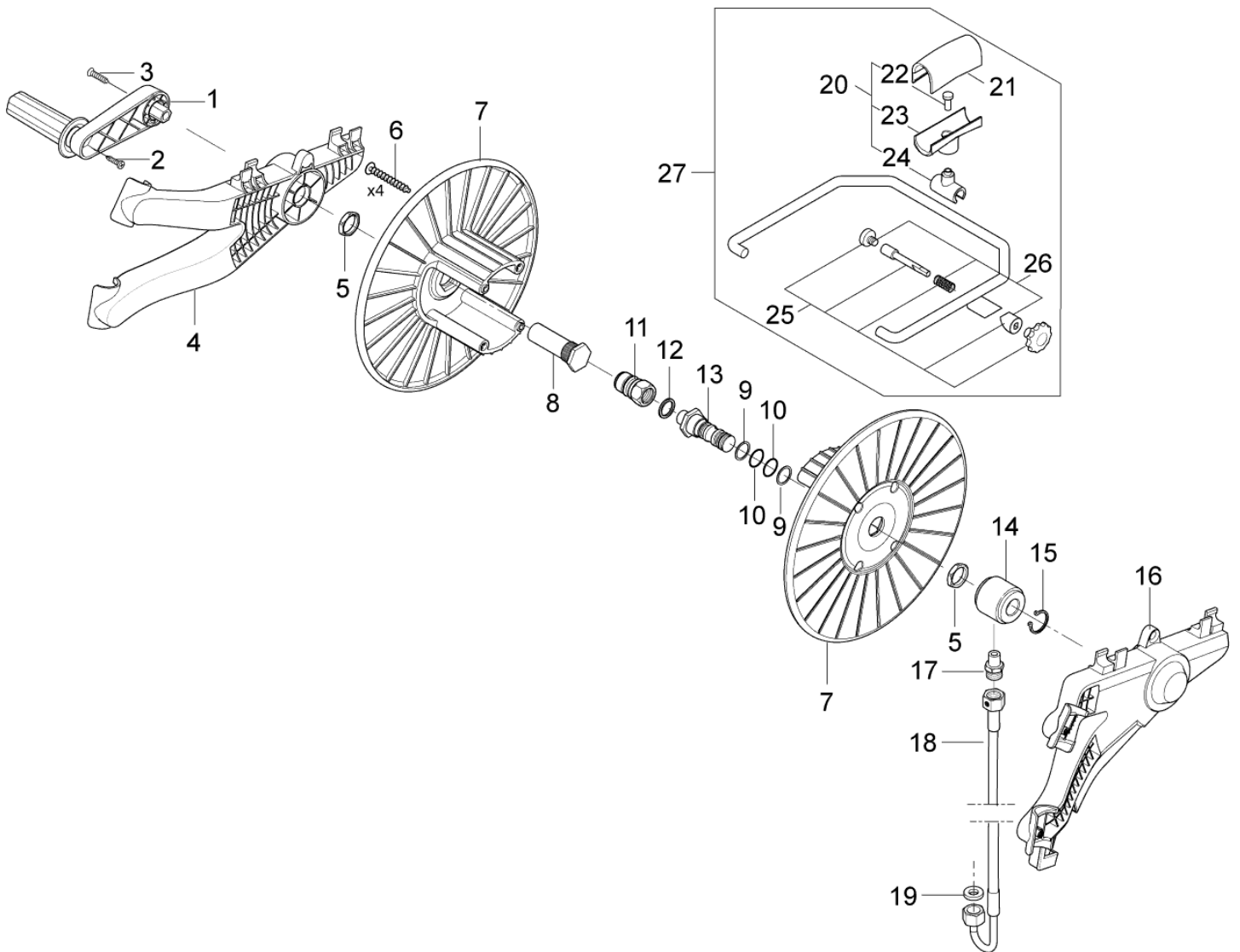
# Hose reel

POSEIDON 7 FA

28-02-2013

Part List ID  
POS5Z04

6



# Hose reel

## POSEIDON 7 FA

28-02-2013

Part List ID  
POSSZ04

7

Pos	Part no.	Qty	Description
1	101118102	1	HOSE REEL HANDLE KIT
2	101814782	1	SCREW K50X18 WN 1451 TORX 20
3	107141673	1	SCREW M6X45 ISO 7380 BLACK TORX
4	107141674	1	ADAPTOR RIGHT FOR HOSE REEL
5	62696	1	HEXAGON NUT M24X1.5X6
6	909100153	1	SCREW 6X40
7	301000775	1	HOSE DRUM SECTION
8	107141675	1	AXLE FOR HOSE REEL
9	63792	2	SUPPORTING RING 16.26X2.18
10	19620	2	O-RING 15.54x2.62 DIN 3771 NBR70
11	1600493	1	Nippel F. Q-COUPL. 3/8 INCH
12	1801075	1	PACKING RING 23.8X17.2X2 3/8 INCH St-NBR
13	107141676	1	SWIVEL SCREW FOR HOSE REEL
14	301000977	1	BEARING BUSH
15	32524	1	RETAINING RING 20X1.2
16	107141677	1	ADAPTOR LEFT FOR HOSE REEL
17	54590	1	FITTING XGE12L 1/4NPT
18	107141678	1	CONNECTION HOSE FOR HOSE REEL
19	65466	1	PACKING RING 8X15X1 DIN7603 A CU
20	101118103	1	HOSE GUIDE PARTS KIT
21	301000674	1	HOSE GUIDE SECTION - UPPER 70X31.7X28.5
22	10028	1	SCREW KA50X14 WN1411
23	301000676	1	HOSE GUIDE SECTION LOWER
24	107141679	1	HOSE GUIDE SLEEVE OPEN
25	101118106	1	HOSE GUIDE BRAKE COMPLETE KIT
26	101118111	1	HOSE GUIDE KIT
27	101118105	1	HOSE GUIDE COMPLETE

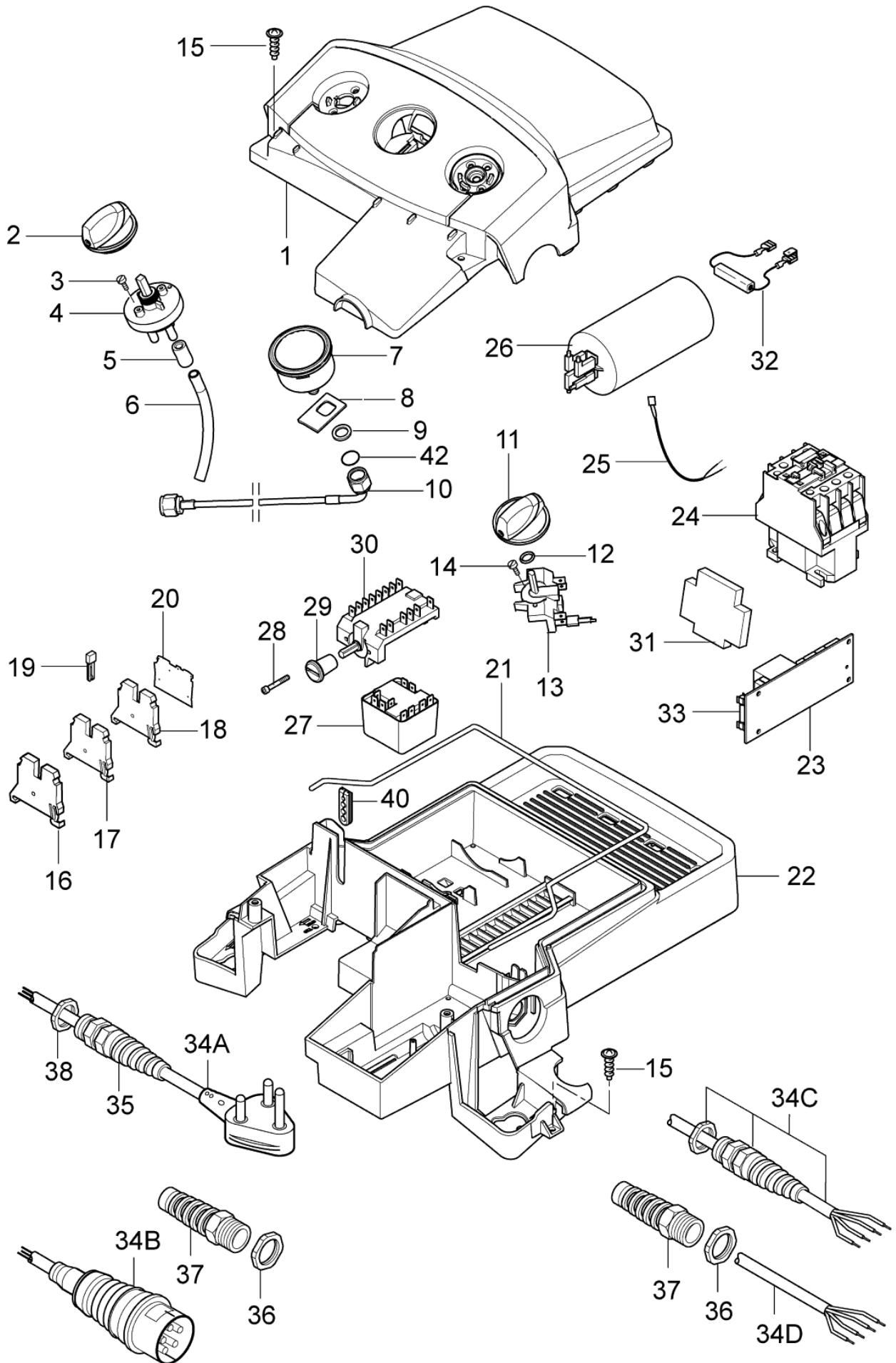
# Electric box

POSEIDON 7 FA

28-02-2013

Part List ID  
POS7Z08

8





# Electric box

## POSEIDON 7 FA

28-02-2013

Part List ID  
POS7Z08

9

Pos	Part no.	Qty	Description	
1	107141644	1	E-BOX TOP F. 1-POS SWITCH AND DET. BLACK	1 pos. and detergent
1	107141645	1	E-BOX TOP F. 2-POS SWITCH AND DET. BLACK	2 pos. and detergent
1	107141646	1	E-BOX TOP F. 1-POS SWITCH-NO DET. BLACK	1 pos. without detergent
2	909100204	1	ROTARY KNOB 6X5 BLUE	
3	1814730	2	SCREW 35X10B W1423	
4	301001000	1	VALVE 51X70	
5	301001906	1	CLOSING CAP D12X21.5	
6	5206636	1	HOSE 6/10	
7	107141648	1	MANOMETER 0-300 BAR	
8	107141650	1	PLATE FOR MANOMETER	
9	107141651	1	WASHER M12 13X24X2.5 A2 DIN125	
10	107141653	1	MANOMETER TUBE FA MODELS	FA
10	107141696	1	MANOMETER TUBE FFA MODELS	Food
11	909100214	1	ROTARY KNOB GR.1 4KT. 6X6+8X8 BLUE	
12	9868	1	O-RING 10.2X2.5 NBR 70	
13	28877	1	SWITCH 10A 400V AC	2-POS.
13	301001058	1	CAM SWITCH 0-1 10A 400VAC	1-POS.
14	18274	1	COUNTERSUNK SCREW M4X12	
15	101814782	6	SCREW K50X18 WN 1451 TORX 20	
16	103821922	1	DIN-END STOP WO/SCREW WAGO 249-116	
17	107141633	1	TERMINAL BLOCK 4Q PE	
18	103821967	1	WIRE TERMINAL WAGO281 800V 4MM2	
19	103821969	1	JUMPER	
20	103821968	1	END PLATE WAGO 4MM2	
21	107141663	1	RUBBER GROMMET	
22	107141654	1	E-BOX BOTTOM DRILLED /CABLE/	220-240/1/60 (7-52 US)
22	107141655	1	E-BOX BOTTOM DRILLED /SWITCH/	Star/triangle
22	107141665	1	E-BOX BOTTOM	
22	107141706	1	E-BOX BOTTOM DRILLED CABLE AND SWITCH	220/440/3/60 (7-67 US)
23	107141666	1	PCB POSEIDON 5-6-7	
24	103822303	1	CONTACTOR CJX2-D18 18A 400V 3P+NO	7-67 FFA, 400/3/50Hz
24	103822304	1	CONTACTOR CJX2-D18 18A 230V 3P+NO	230/1/50Hz
24	103822308	1	CONTACTOR CJX2-D25 25A 400V 3P+NO	400/3/50Hz
24	103822314	1	CONTACTOR CJX2-D32 32A 230V 3P+NO	(220-240/1/60 US) (200/3/50/60Hz JP)
24	63910	1	CONTACT 100-C23KF10 23	220/440/3/50/60Hz
24	63915	1	CONTACT 100-C30KF10 230	220-240/440-460/3/60 US
25	107141656	1	WIRE	
26	101117948	1	CAPACITOR 70UF 400/450V DOUBLE FASTON	
27	107141613	1	START RELAY RVA 4N 0D	230/1/50Hz
28	40045	2	PAN HEAD SCREW M4X30	
29	64580	1	ROTARY KNOB	
30	301000293	1	SWITCH START/TRIANGLE 16	
31	64773	1	AUXILIARY CONTACT 100-SBL11	

# Electric box

## POSEIDON 7 FA

28-02-2013

Part List ID  
POS7Z08

10

Pos	Part no.	Qty	Description	
32	301000402	1	RESISTANCE 15KOHM/7W	
33	301000263	1	FUSE 0.63A/500AT Ø 6.	
35	909100198	1	SCREWED CABLE GLAND M25X1.5	M25
36	909100019	1	HEXAGON THIN NUT M20X1.5 EN 50262 PA	M20
36	909100021	1	HEXAGON NUT M32X1.5	M32
37	909100016	1	ABLE SCREWING W. ANTIBUC.	M32
37	909100043	1	CABLE SCREWING W. ANTIBUC. M20X1.5	M20
38	909100020	1	HEXAGON THIN NUT M25X1.5 EN 50262 PA	M25
40	101406054	1	SPONGE RUBBER Ø 4 1M	
42	31000508	1	O-RING NBR	
34A	301000407	1	POWER CORD SJOW AWG10/3X9.0	7-52 US
34B	301000253	1	POWER CORD H07RN-F 4G1.5	EU
34C	301001384	1	POWER CORD VCT 4X3.5X11M	JP
34D	301000337	1	POWER CORD H07RN-F 4G2.5	NO, EXP.
34D	301000384	1	POWER CORD SOW AWG10/4X9	7-67 US

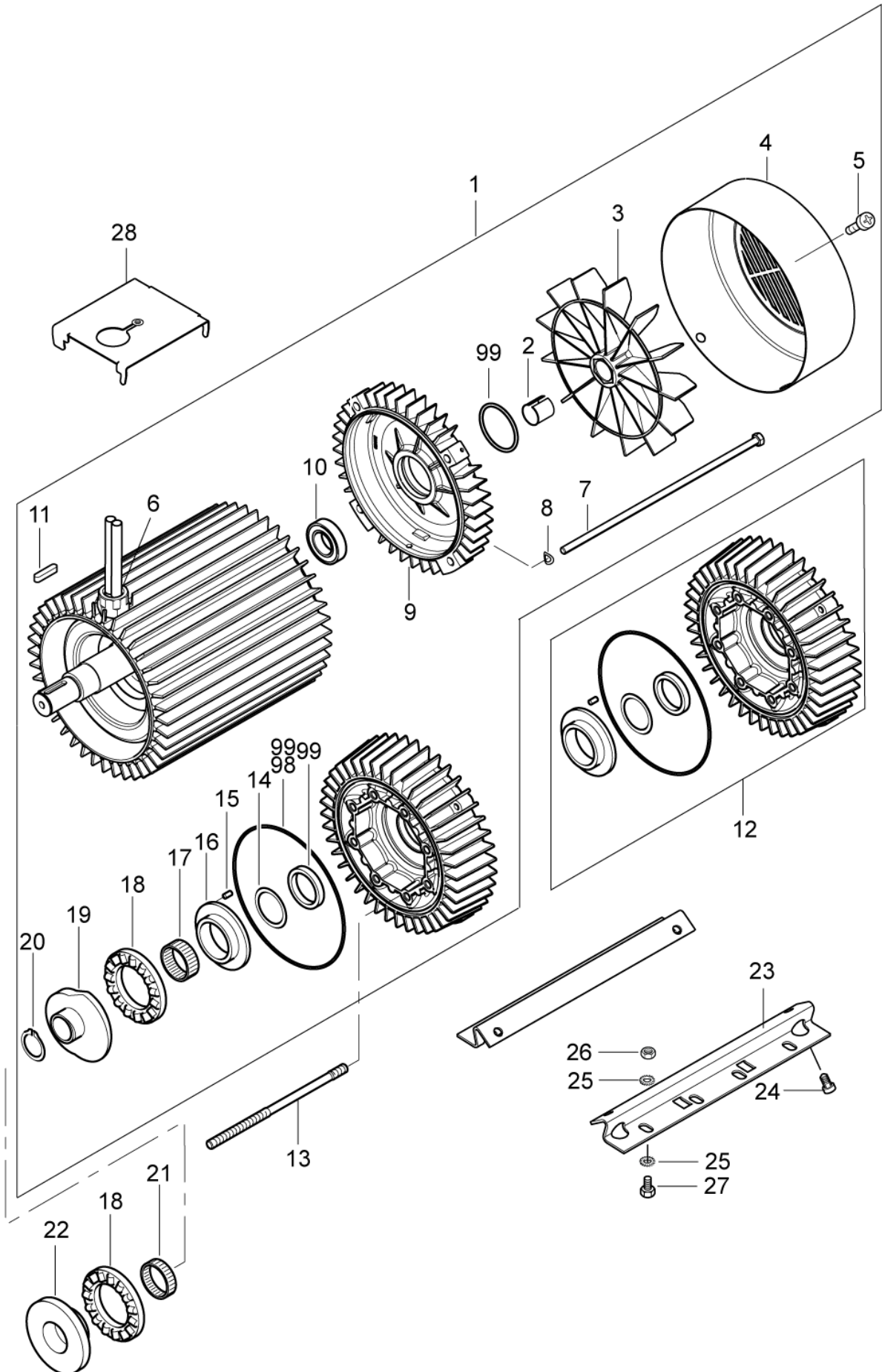
# Motor

POSEIDON 7 FA

28-02-2013

Part List ID  
POSZ704

11



# Motor

## POSEIDON 7 FA

28-02-2013

Part List ID  
POSZ704

12

Pos	Part no.	Qty	Description	
0	5218433	1	PUMP OIL 150 1X1L	1,1L required
1	107120750	1	MOTOR 6.5KW 400 415 230 3 50	EU
1	107120751	1	MOTOR 6.5KW 440 220 3 60	EXP., 7-67 US
1	107120752	1	MOTOR 6.5KW 200 3 50	JP, 50Hz
1	107120753	1	MOTOR 6.5KW 200 3 60	JP, 60Hz
1	107120757	1	MOTOR 5.0KW 208 230 1 60	US
2	1802503	1	LOCK RING FAN WHEEL	
3	6100605	1	FAN	
4	6100609	1	COVER F. FAN	
5	101814693	2	SCREW M4X 8 EE DIN 7500 A2	
6	7302028	1	SOCKET	
7	31000493	4	STAY BOLT 306 MM	
8	1801182	4	SPRING WASHER M8	
9	107140617	1	REAR BEARING COVER	
10	3200623	1	REAR BEARING	
11	3200672	1	TONGUE 6X6X32 A DIN 6885 ST	
12	107140615	1	FRONT BEARING COVER COMPLETE	
13	6301368	8	STUDS	
14	6100995	1	WASHER	
15	6100996	1	GUIDE PIN	
16	107120703	1	BEARING TRACK	
17	3200656	1	NEEDLE BEARING INA K 40X46X17	
18	3200615	2	AXIAL ROLLER BEARING	
19	107120708	1	WOBBLE DISC 4	7-52 US
19	107120710	1	WOBBLE DISC 6	JP 60Hz, EXP., 7-67 US
19	107120716	1	WOBBLE DISC 12	EU, (JP 50Hz)
20	1802511	1	CIRCLIP 28X1.5 DIN471A	
21	3200664	1	NEEDLE BEARING	
22	107120704	1	BEARING TRACK	
23	107142071	2	MOTOR BRACKET C3 POSEIDON 7	
24	107140908	4	SPECIAL SCREW M10x20 F. C3 BRACKET SPARE	
25	10204	8	SERRATED LOCK WASHER A10	
25	107140931	8	TOOTHED WASHER M10 SS	Food
26	1800465	4	NUT M10 DIN 934	
26	1802966	4	NUT M10 ISO 4032 A2-70	Food
27	1801133	4	SCREW M10X25 ISO4017 ZN	
27	24319	4	HEX. SCREW M10X35 ISO 4017 A2	Food
28	107140942	1	BRACKET /MOUSE/ POS. 7 SPARE PART	
98	1119820	1	OIL SEAL 03/C3 REP.KIT	See pump
99	1119570	1	GASKETS C3 REP.KIT	See pump

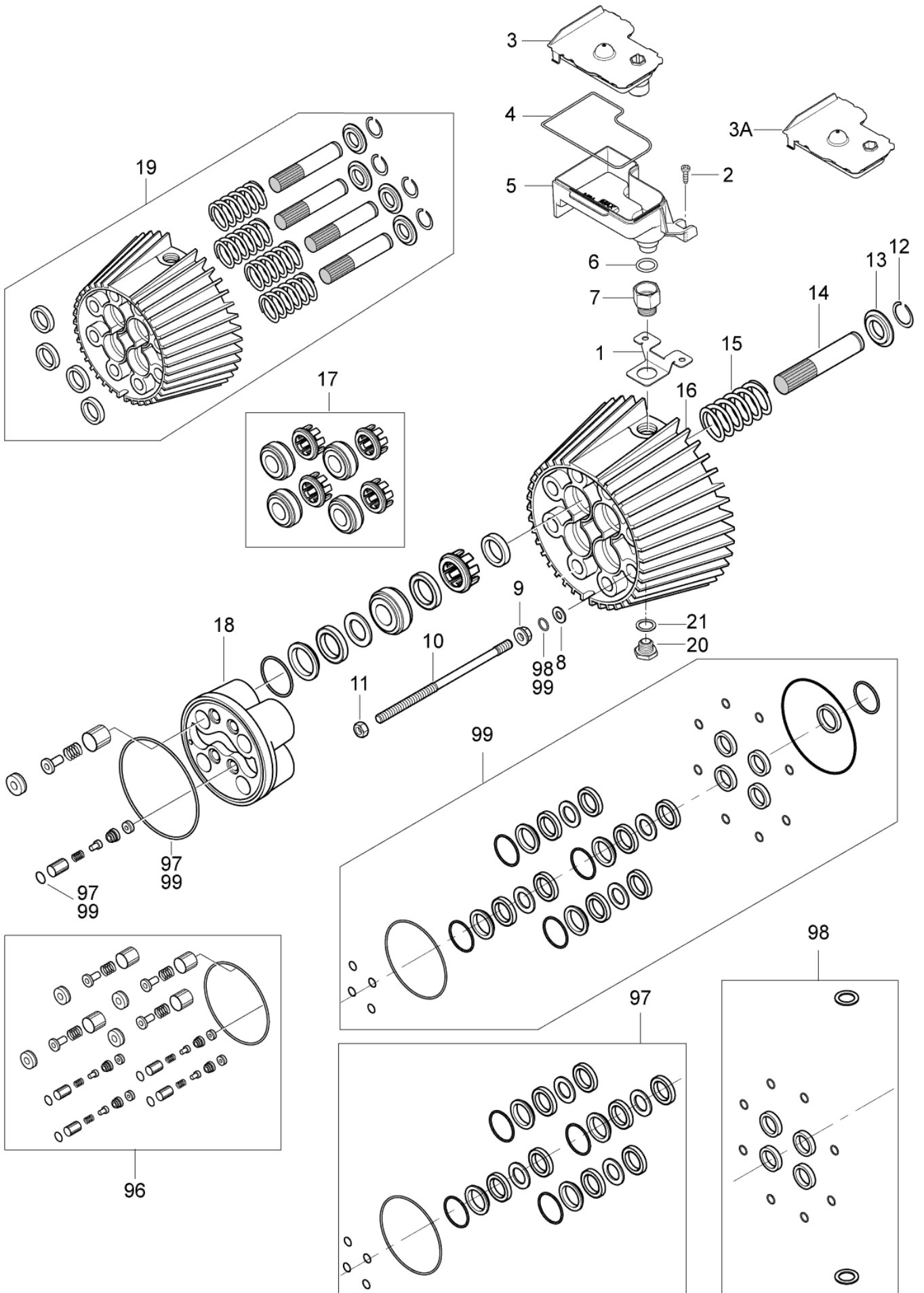
# Pump

POSEIDON 7 FA

28-02-2013

Part List ID  
POSZ706

13



# Pump

## POSEIDON 7 FA

28-02-2013

Part List ID  
POSZ706

14

Pos	Part no.	Qty	Description	
-	5218433	1	PUMP OIL 150 1X1L	
1	107141609	1	PLATE FOR ADAPTOR FOR OIL CONTAINER C3	
2	107140881	2	SCREW M5X12 DIN 7985 TORX	
3	107140883	1	OIL CONTAINER TOP W/LEVEL SENSOR	
4	107140878	1	SEALING TAPE D4 YARD-WAR/CELLULAR RUBBER	
5	107140879	1	OIL CONTAINER BOTTOM	
6	107140882	1	O-RING 15.0 X 3.0 SMS 1586 NBR70	
7	107141610	1	SCREW CONNECTION C3	
8	6100718	8	WASHER 10X16X1	
9	6100719	8	THRUST COLLAR	
10	6301368	8	STUDS	
11	4826	8	HEXAGON NUT M10	
12	1802529	4	CIRCLIP	
13	6100666	4	RING F. RETURN SPRING	
14	6301166	4	CERAMIC PISTON C3	
15	102602517	4	RETURN SPRING C3	
16	6100610	1	CYLINDER BLOCK	
17	107120700	4	THRUST COLLAR BACK-UP RING	
18	107120701	1	CYLINDER HEAD	
19	6300071	1	CYLINDER BLOCK COMP.	
20	6150400	1	DRAIN PLUG	
21	106408208	1	COPPER SEALING 17X25X1.5	
3A	107140877	1	OIL CONTAINER TOP	
96	101119848	1	VALVE KIT INLET/OUTLET	- TOLERATE CHLORINE
96	1119195	1	REP.KIT F. VALVE SYSTEM	STEEL
96	1119310	1	VALVE SET 4X O2/A2/O3	PLASTIC
97	1119571	1	GASKETS REDUCED REP.KIT	
98	1119820	1	OIL SEAL 03/C3 REP.KIT	
99	1119570	1	GASKETS C3 REP.KIT	

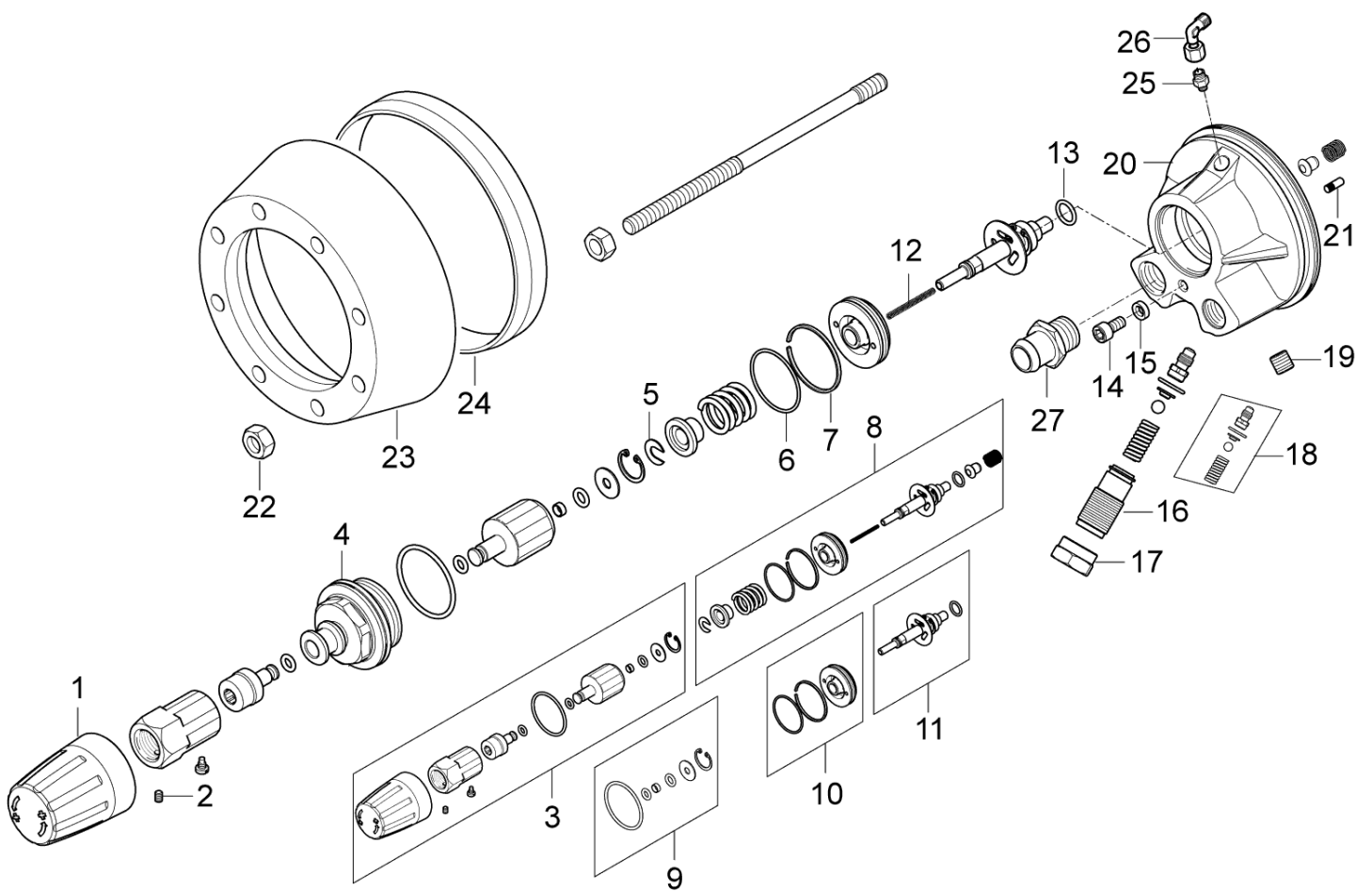
# Unloader

POSEIDON 7 FA

28-02-2013

Part List ID  
POSZ710

15



# Unloader

## POSEIDON 7 FA

28-02-2013

Part List ID  
POSZ710

16

Pos	Part no.	Qty	Description
1	107140914	1	WATER REGULATION C3
2	1802602	1	CRATER-POINT SCREW M4X6
3	101118115	1	WATER REGULATION KIT C3
4	6100984	1	BUSHING F.ADJUSTMENT SPINDLE
5	6101069	1	SAFETY DISK
6	3001716	1	O-RING 35.1x1.6 SMS 1586 NBR70
7	6101061	1	PISTONRING
8	1118520	1	REP.KIT BY-PASS VALVE
9	101119410	1	REP. KIT GASKETS
10	6100925	1	PISTON F. BY-PASS VALVE
11	6101784	1	VALVE CONE COMP.
12	2600286	1	SPRING DM-2.9
13	3000460	1	O-RING 11.0X2.0 NITRIL 70SH
14	3913	1	SCREW M6X12
15	6100985	1	LOCK WASHER
16	6100940	1	ADJUSTMENT SCREW
17	6100928	1	LOCK NUT
18	1118512	1	SAFETY VALVE REP.KIT
19	1602333	1	PLUG 1/8 INCH
20	6101042	1	VALVE COVER
21	6100996	1	GUIDE PIN
22	1800465	8	NUT M10 DIN 934
23	6100605	1	FAN
24	6301392	1	RING FOR MOTOR-PUMP
25	1821	1	FITTING XGE 6LR1/8
26	107141616	1	FITTING ANGLE COMPLETE
27	107141614	1	SCREW FITTING



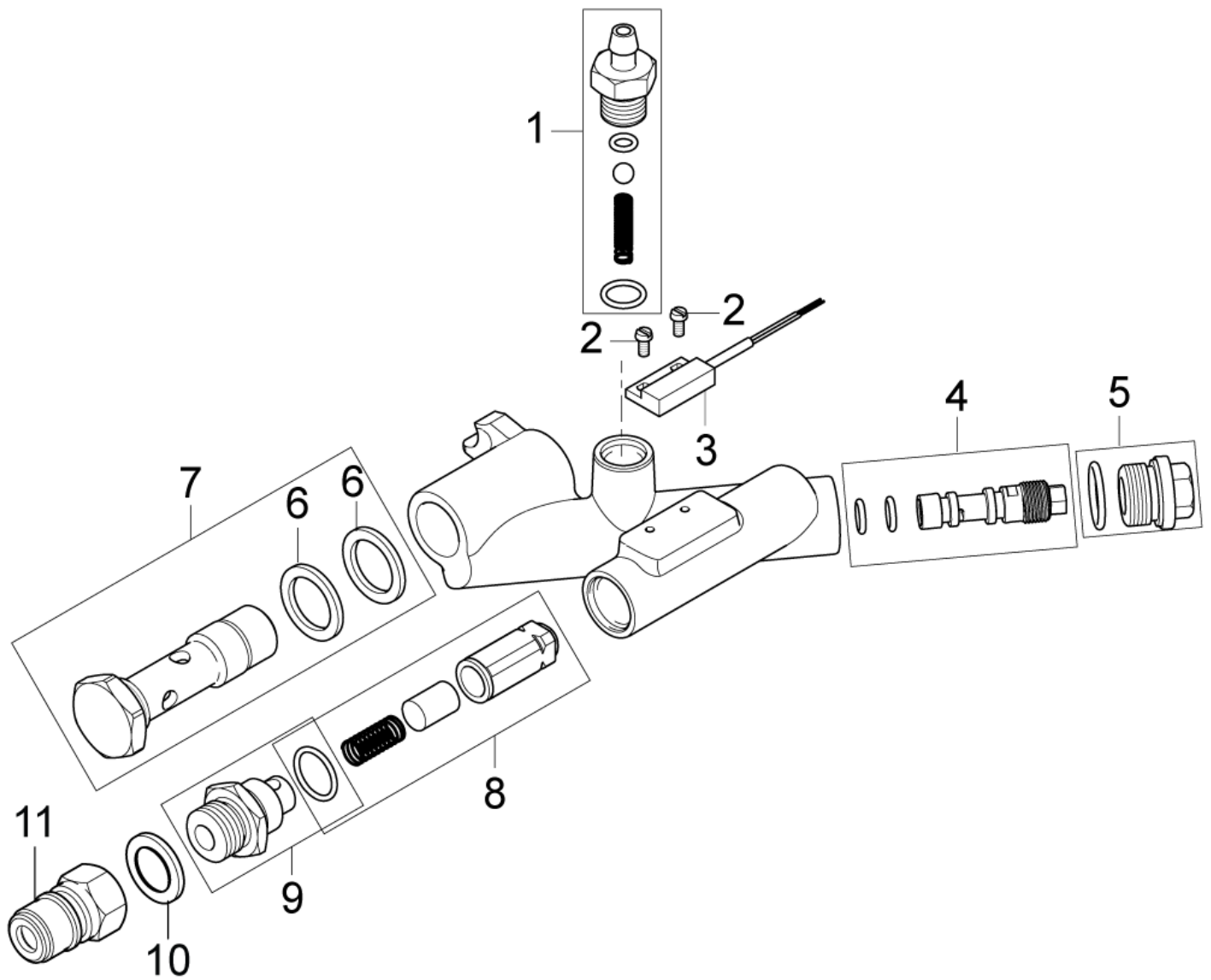
# Outlet fitting

POSEIDON 7 FA

28-02-2013

Part List ID  
POSZ712

17



# Outlet fitting

## POSEIDON 7 FA

28-02-2013

Part List ID  
POSZ712

18

Pos	Part no.	Qty	Description	
1	1119406	1	NON RETURN VALVE REP. KIT	
2	101118033	2	SCREW M3X6 BRASS DIN 84 ISO 1207 KIT	
3	106408216	1	REED SWITCH	
4	107144112	1	INJECTOR - NA5	
5	107144135	1	OIL PLUG W/ O-RING NA5 SPAREPART	
6	1801075	2	PACKING RING 23.8X17.2X2 3/8 INCH St-NBR	
7	107141432	1	BANJO SCREW COMPLETE	
8	101119411	1	REP.KIT PISTON	
9	107141430	1	PLUG FOR SWITCH COMPLETE	
10	1801075	1	PACKING RING 23.8X17.2X2 3/8 INCH St-NBR	
11	1600493	1	Nippel F. Q-COUPL. 3/8 INCH	
11	1603101	1	NIPPLE F/QUICK COULING 3/8 SS	INOX

# Default accessories

POSEIDON 7 FA

28-02-2013

Part List ID  
POSZ714

19

No Drawing For Part List

# Default accessories

POSEIDON 7 FA

28-02-2013

Part List ID  
POSZ714

20

Pos	Part no.	Qty	Description	
1	106403122	1	ERGO 2000 STANDARD W. HOSE SWIVEL	
2	106403010	1	TORNADO PLUS 1120 BEND W/O NOZZLE	
3	101119747	1	NOZZLE + INDICATION RING 0680	7-67
3	101119748	1	NOZZLE 0700 INDICATION RING ORANGE	7-52 US
4	106402294	1	TURBOHAMMER PLUS 1125 STRAIGHT W11 0700	7-67 FAXT
5	106403096	1	POWERSPEED VARIO PLUS 1090 BEND 0680	
6	1402064	1	15 M 2 WIRE HOSE 3/8 DN10	
6	1402072	1	20 M 2 WIRE HOSE 3/8 DN10	
6	6101766	1	10 M 2 WIRE HOSE 3/8IN DN10	
6	6101767	1	10 M 2 WIRE HOSE 3/8 FOOD	
7	6401243	1	FOAM INJECTOR W BYPASS S. S	7-67 FBFA
8	106403142	1	SANDFILTER RACKED KIT	
8	106403144	1	WATER BRAKE TANK KIT	
8	106403165	1	SANDFILTER FOR WBT KIT	

# Recommended spare parts

POSEIDON 7 FA

28-02-2013

Part List ID  
POSZ716

21

No Drawing For Part List

# Recommended spare parts

POSEIDON 7 FA

28-02-2013

Part List ID POSZ/16

22

Pos	Part no.	Qty	Description	
	101118101	1	HANDLE KIT	
	101118102	1	HOSE REEL HANDLE KIT	
	101118103	1	HOSE GUIDE PARTS KIT	
	101118104	1	SPRING AND LOCK NUT KIT	
	101118105	1	HOSE GUIDE COMPLETE	
	101118106	1	HOSE GUIDE BRAKE COMPLETE KIT	
	101118111	1	HOSE GUIDE KIT	
	107141615	1	RUBBER FOOT	
	107141627	1	SCREW K50X40 T20	
	107141629	1	HOSE HOOK	
	107141630	1	LANCE HOLDER NA	
	107141632	1	CABLE HOOK	
	107141633	1	TERMINAL BLOCK 4Q PE	
	107141634	1	REAR END	
	107141635	1	DETERGENT TANK	
	107141648	1	MANOMETER 0-300 BAR	
	107141650	1	PLATE FOR MANOMETER	
	107141653	1	MANOMETER TUBE FA MODELS	
	107141663	1	RUBBER GROMMET	
	107141664	1	CAP FOR DETERGENT TANK	
	107141667	1	LOCK WASHER	
	107141669	1	WATER INLET PIPE C3	
	107141671	1	RUBBER ELBOW C3	
	107141676	1	SWIVEL SCREW FOR HOSE REEL	
	107141679	1	HOSE GUIDE SLEEVE OPEN	
	107141690	1	SCREW M5X12 DIN7985 TORX TAPTITE	
A	101117926	1	FILTER	A
A	101119411	1	REP.KIT PISTON	A
A	101119848	1	VALVE KIT INLET/OUTLET	A
A	106408216	1	REED SWITCH	A
A	107144112	1	INJECTOR - NA5	A
A	1119195	1	REP.KIT F. VALVE SYSTEM	A
A	1119310	1	VALVE SET 4X O2/A2/O3	A
A	1119570	1	GASKETS C3 REP.KIT	A
A	1119571	1	GASKETS REDUCED REP.KIT	A
A	1119820	1	OIL SEAL O3/C3 REP.KIT	A
A	6100925	1	PISTON F. BY-PASS VALVE	A
A	6101069	1	SAFETY DISK	A
A	6101784	1	VALVE CONE COMP.	A
B	1118512	1	SAFETY VALVE REP.KIT	B
C	101117948	1	CAPACITOR 70UF 400/450V DOUBLE FASTON	C
C	103822303	1	CONTACTOR CJX2-D18 18A 400V 3P+NO	C
C	103822304	1	CONTACTOR CJX2-D18 18A 230V 3P+NO	C

# Recommended spare parts

POSEIDON 7 FA

28-02-2013

Part List ID  
POSZ716

23

Pos	Part no.	Qty	Description	
C	103822308	1	CONTACTOR CJX2-D25 25A 400V 3P+NO	C
C	103822314	1	CONTACTOR CJX2-D32 32A 230V 3P+NO	C
C	107120704	1	BEARING TRACK	C
C	107120708	1	WOBBLE DISC 4	C
C	107120710	1	WOBBLE DISC 6	C
C	107120716	1	WOBBLE DISC 12	C
C	107120750	1	MOTOR 6.5KW 400 415 230 3 50	C
C	107120751	1	MOTOR 6.5KW 440 220 3 60	C
C	107120752	1	MOTOR 6.5KW 200 3 50	C
C	107120753	1	MOTOR 6.5KW 200 3 60	C
C	107120757	1	MOTOR 5.0KW 208 230 1 60	C
C	107140615	1	FRONT BEARING COVER COMPLETE	C
C	107140617	1	REAR BEARING COVER	C
C	107141613	1	START RELAY RVA 4N 0D	C
C	107141666	1	PCB POSEIDON 5-6-7	C
C	1119406	1	NON RETURN VALVE REP. KIT	C
C	301000263	1	FUSE 0.63A/500AT Ø 6.	C
C	301000402	1	RESISTANCE 15KOHM/7W	C
C	301001058	1	CAM SWITCH 0-1 10A 400VAC	C
C	3200615	1	AXIAL ROLLER BEARING	C
C	3200623	1	REAR BEARING	C
C	3200656	1	NEEDLE BEARING INA K 40X46X17	C
C	3200664	1	NEEDLE BEARING	C
C	63910	1	CONTACT 100-C23KF10 23	C
C	63910	1	CONTACT 100-C23KF10 23	C
C	64773	1	AUXILIARY CONTACT 100-SBL11	C