

AquaTools
water driven products & solutions

wine & food processing



Safe & Easy-to-Use Glass Bottle Crusher / Recycler

GLSand Bottle Crusher

Looking for a new, innovative, cost-effective, and space-saving way to recycle your used glass bottles? AquaTools has the answer with the GLSand Bottle Crusher!

Safe and easy to use, this small unit can take wine bottles, beer bottles, glass soda bottles, glass condiment jars and bottles, liquor bottles, and Champagne bottles and crushes them into sand. The crushed material is safe to handle and is discharged into a 5 gallon bucket for easy removal from the unit. The sand can be used as a landscaping material, as a mix into vineyard soil, used to fill sandbags, and a lot more. As the crushed material has been reduced 90% in volume (compared to a whole bottle), the material can also be discarded saving lots of bin space. No more eyesore and wasted space of overflowing bins of used glass bottles.

Features:

- Safe and easy to use.
- Reduces waste.
- Eco-Friendly.
- Crushing time is 3 to 5 seconds per bottle.
- The resulting sand is safe to handle.
- Save money on your waste bill.
- 90% reduction in volume by crushing your bottles.
- Crushed material can be used in a variety of ways.
- Machine uses very little space.
- Great for bars, pubs, nightclubs, restaurants, hotels, wineries, and other food service industries.



Stop throwing out your used glass bottles and convert them into useful sand!

WWW.AAQUATOOLS.COM

Specifications

Motor size	1.5kw
Dimensions*(L x H x W)	19"x53"x23"
Weight empty (lb)	200
1-phase voltage (v)	220v 50/60hz
Feed capacity	300kg/ph
Noise level	60-90 dB
Bin size	5 gallon
Bin capacity	160 beer - 60 wine bottles
Volume reduction (whole to crushed)	10:1

Special Features

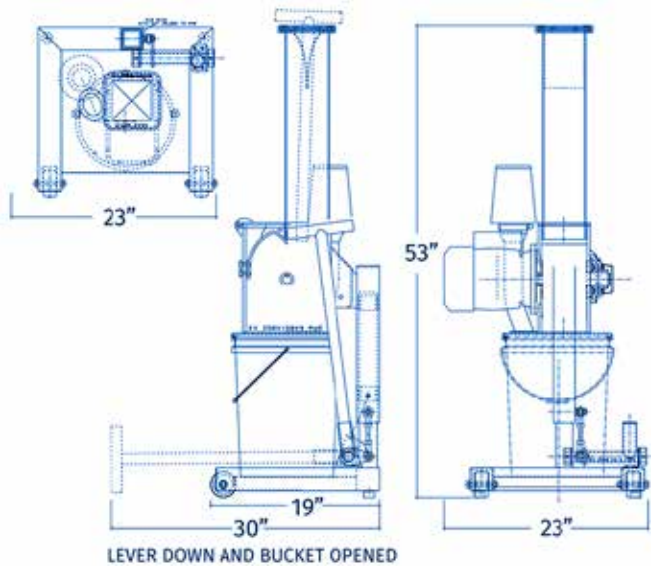
Small footprint - At only 53x23x19 inches, the unit is smaller than most machines and can be placed just about anywhere out of the way.

Low noise - The unit operates at a decibel range lower than most other machines in its class.

Safe and easy to operate - Simply turn the GLSand on, ensuring that the LED light is lit indicating the motor is running (especially for noisy environments), make sure any bottle caps are removed, then insert bottles one at a time neck first into the chute. Bottles can be fed immediately one after the other.

Easy cleanup - Once the container inside the unit is full, it is removed and the material inside can easily be discarded (saving bin space) or the material can be utilized in a variety of ways. The resulting material is safe to handle.

Save time, money, space, and labor costs.



P/N BottleCrusherGL1-2020 - 07/20
© 2020 AaquaTools, Inc. – All rights reserved.
Specifications are subject to change without notice.



AaquaTools

water driven products & solutions
3233 Fitzgerald Road, Ste. B
Rancho Cordova, CA 95742

Direct: 916.635.2922
Fax: 916.635.8856
info@aaquatools.com
www.aaquatools.com

w a t e r - d r i v e n p r o d u c t s
& s o l u t i o n s